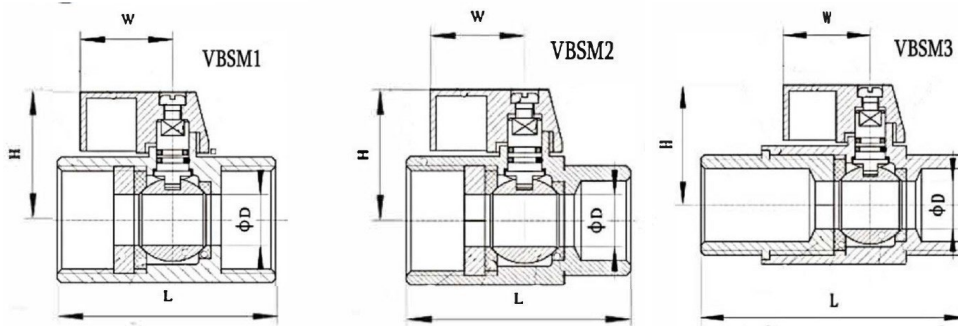


Stainless Steel Mini-Ball Valves (SS316)

Features

- SS 316 (CF8M) body and ball - for extra strength and corrosion resistance
- Working pressure of 1 000 PSI(WOG)
- Double seal system allows flow can go in either direction
- NPT Threaded Ends
- Temperature range: -40°F to 400°F
- Heavy duty Zinc Alloy handles (painted blue)
- Fast 1/4 turn open or closed operation
- Each valve individually tested for maximum safety



Materials List

Description	Material
Body	SS 316 (CF8M)
Ball	SS 316 (CF8M)
Cap	SS 316 (CF8M)
Ball Seat	RPTFE
Stem	SS 304
Bolt	SS 304
Lever	Aluminum

Dimensions

Type	Part #	Size	D	L	H	W
Female by Female	VBSM1-025	1/4"	0.27	1.65	1.04	0.89
	VBSM1-038	3/8"	0.27	1.65	1.04	0.89
	VBSM1-050	1/2"	0.36	1.81	1.11	0.89
	VBSM1-075	3/4"	0.49	2.13	1.24	0.89
	VBSM1-100	1"	0.59	2.56	1.34	0.89
Female by Male	VBSM2-025	1/4"	0.27	1.65	1.04	0.89
	VBSM2-038	3/8"	0.27	1.65	1.04	0.89
	VBSM2-050	1/2"	0.36	1.81	1.11	0.89
	VBSM2-075	3/4"	0.49	2.13	1.24	0.89
	VBSM2-100	1"	0.59	2.56	1.34	0.89
Male by Male	VBSM3-025	1/4"	0.27	1.96	1.04	0.89
	VBSM3-038	3/8"	0.27	1.96	1.04	0.89
	VBSM3-050	1/2"	0.36	2.28	1.11	0.89
	VBSM3-075	3/4"	0.49	2.75	1.24	0.89

▲ * California Prop 65 WARNING: This product can expose you to chemicals such as DEHP, which is known to the State of California to cause cancer, birth defects or reproductive harm.